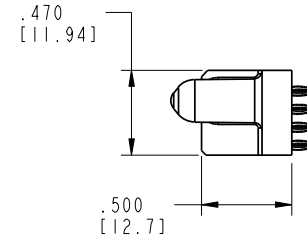
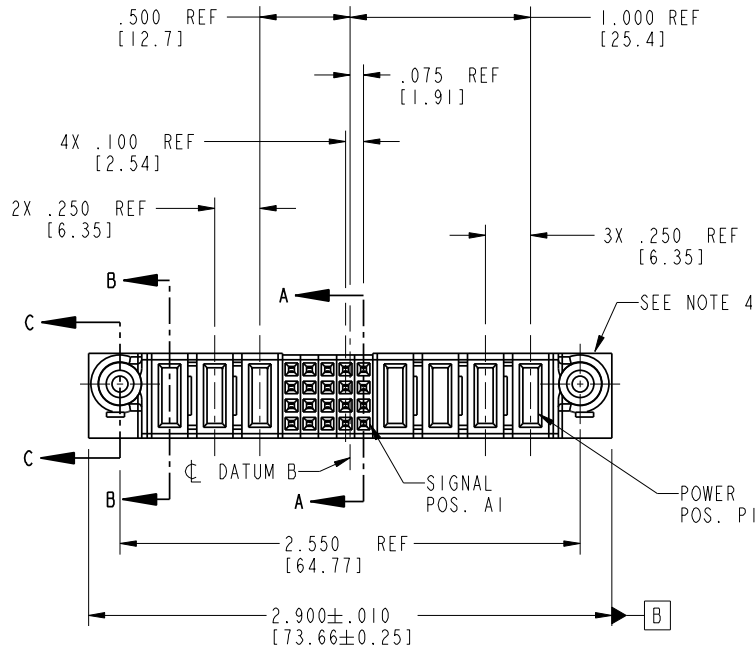


Tous droits strictement réservés. Reproduction ou communication o des tiers interdite sous quelque forme que ce soit sans autorisation écrite du propriétaire. Propriété de c FCI. Droits de reproduction FCI.

All rights strictly reserved. Reproduction or issue to third parties in any form without is not permitted without written authority from the proprietor. Property of FCI. Copyright FCI.

PRODUCT NO. 51750-018-- NOTE (3)	ROWS D C B A	POWER				SIGNAL				POWER				E1	
		E2	P7	P6	P5	5	4	3	2	1	P4	P3	P2		P1
			PF	PC	PC	F	F	F	F	F	PC	PF	PC	PC	



CODE	DIM "M" MATING LENGTH	CONTACT TYPE
PC	.042 [1.07]	POWER
F	N/A [N/A]	SIGNAL
PF	.092 [2.34]	POWER

mat'l code				SEE NOTE 2		tolerances unless otherwise specified		CUSTOMER		 www.fciconnect.com	
lir	ecn no.	dr	date	linear	.XX±.01/0.X±0.3		COPY		projection		title
A	V11569	JRW	5/22/01		.XXX±.005/0.XX±0.13		INCH/MM				4P + 20S + 3P
B	DG05-0425	Ryan	11/1/05	angles	.XXX±.002/0.XXX±0.051		scale		product family		VERTICAL PRESSFIT RECEPT
				dr	0° ± 2°		1:1		PwrBlade		code
				engr	Ryan, Yuan	11/1/05			size		213
				chr	Sally, Luo	11/1/05			dwg no		sheet
				appd	VICTOR LIN	11/1/05			51750-018		1 of 4
					JOSEPH HSIA	11/1/05					
sheet index	revision	B	B	B	B						
	sheet	1	2	3	4						

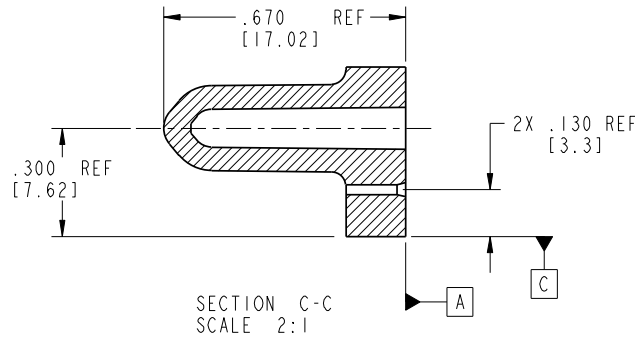
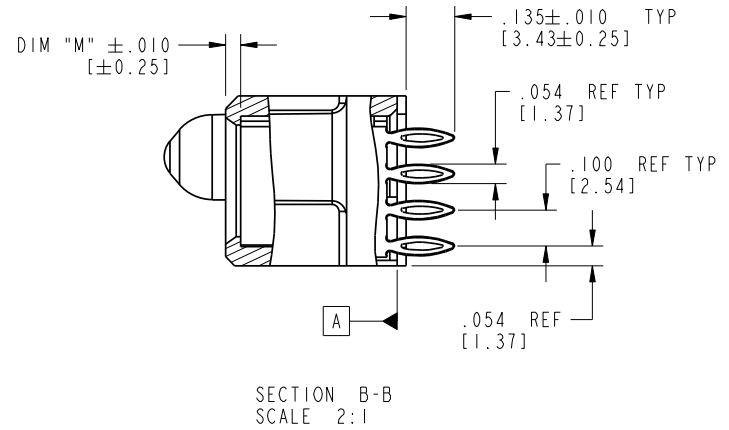
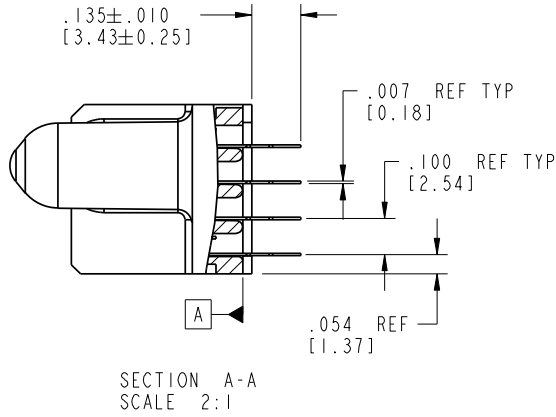
cage code 22526

Pro/E

Tous droits strictement reserves. Reproduction ou communication a des tiers interdite sous quelque forme que ce soit sans autorisation écrite du propriétaire. Propriete de c FCI. Droits de reproduction FCI.

All rights strictly reserved. Reproduction or issue to third parties in any form whatever is not permitted without written authority from the proprietor. Property of FCI. Copyright FCI.

PRODUCT NUMBER
51750-018__
NOTE (3)



mat'l code SEE NOTE 2				tolerances unless otherwise specified		CUSTOMER		 www.fciconnect.com	
lir	ecn no.	dr	date	linear	.XX±.01/0.X±0.3	COPY			
B					.XXX±.005/0.XX±0.13	INCH/MM		title	
				angles	.XXX±.002/0.XXX±0.051	scale		4P + 20S + 3P	
				dr	0° ± 2°	1:1		VERTICAL PRESSFIT RECEPT	
				engr	Ryan Yuan 11/1/05	product family		PwrBlade	
				chr	Sally Luo 11/1/05	size		213	
				appd	VICTOR LIN 11/1/05	dwg no		51750-018	
					JOSEPH HSIA 11/1/05	sheet		2 of 4	
sheet index	revision sheet								

cage code 22526

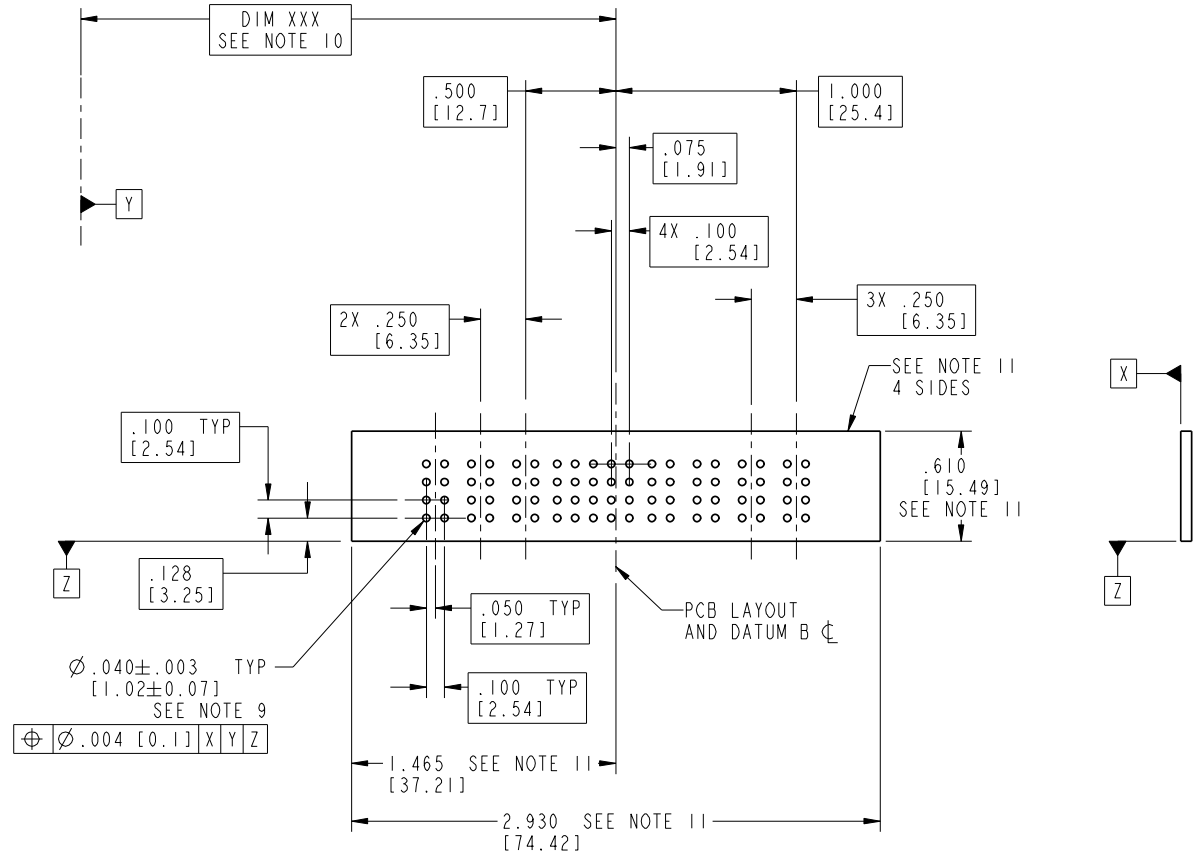
Pro/E

Tous droits strictement reserves. Reproduction ou communication a des tiers interdite sous quelque forme que ce soit sans autorisation écrite du propriétaire. Propriété de c FCI. Droits de reproduction FCI.



All rights strictly reserved. Reproduction or issue to third parties in any form without is not permitted without written authority from the proprietor. Property of FCI. Copyright FCI.

PRODUCT NUMBER
51750-018__
NOTE (3)



mat'l code		SEE NOTE 2		tolerances unless otherwise specified		CUSTOMER		FCI		www.fciconnect.com		
lir	ecr no.	dr	date	linear	.XX±.01/0.X±0.3		projection	COPY		title 4P + 20S + 3P		
B					.XXX±.005/0.XX±0.13			INCH/MM	title		VERTICAL PRESSFIT RECEPT	
				angles	.XXX±.002/0.XXX±0.051		scale		product family		PwrBlade	
					0°±2°			1:1	size		213	
				dr	Ryan.Yuan	11/1/05	A		51750-018		sheet 3 of 4	
				enrg	Sally.Luo	11/1/05						
				chr	VICTOR LIN	11/1/05						
				appd	JOSEPH HSIA	11/1/05						
sheet index	revision sheet											

cage code 22526

PRODUCT NUMBER

51750-018__
NOTE ③

NOTES:

1. DIMENSIONS AND TOLERANCES ARE IN ACCORDANCE WITH ASME Y14.5M, 1994 UNLESS OTHERWISE SPECIFIED.

CONNECTOR NOTES:

② HOUSING MATERIAL: UL 94 V-0 GLASS FILLED
HIGH-TEMP THERMOPLASTIC
POWER CONTACT MATERIAL: COPPER ALLOY
SIGNAL PIN MATERIAL: COPPER ALLOY

3. PLATING:
51750-018: SIGNAL PIN: 30u"/0.76um Au OVER 50u"/1.27um Ni ON THE CONTACT AREA
AND 100u"/2.54um SnPb OVER 50u"/1.27um Ni ON THE TERMINATION AREA
POWER PIN: 30u"/0.76um Au OVER 50u"/1.27um Ni ON THE CONTACT AREA
AND 100u"/2.54um SnPb OVER 50u"/1.27um Ni ON THE TERMINATION AREA

51750-018LF: SIGNAL PIN: 30u"/0.76um Au OVER 50u"/1.27um Ni ON THE CONTACT AREA
AND 78u"/2.00um Sn OVER 50u"/1.27um Ni ON THE TERMINATION AREA
POWER PIN: 30u"/0.76um Au OVER 50u"/1.27um Ni ON THE CONTACT AREA
AND 78u"/2.00um Sn OVER 50u"/1.27um Ni ON THE TERMINATION AREA

PART NUMBER 51750-018LF MEETS EUROPEAN UNION DIRECTIVE AND OTHER COUNTRY REGULATIONS AS DESCRIBED IN GS-22-008.

THE HOUSING WILL WITHSTAND EXPOSURE TO 260° PEAK TEMPERATURE FOR 10 SECONDS IN A WAVE SOLDER APPLICATION WITH A CIRCUIT BOARD.

④ MANUFACTURER'S NAME, P/N, AND DATE CODE TO APPEAR ON THIS SURFACE.

5. PRODUCT SPECIFICATION GS-12-149.
APPLICATION SPECIFICATION BUS-20-067.

6. PACKAGED IN TRAYS.

PCB NOTES:

7. ALL HOLE DIAMETERS ARE FINISHED HOLE SIZE.

⑧ MOUNTING HOLES, WHERE APPLICABLE, ARE UNPLATED.

⑨ $\varnothing .0453 \pm .0010$ [1.151 ± 0.025] DRILLED HOLES PLATED WITH
.0003 [0.008] MIN SnPb OVER .001 [0.03]
TO .003 [0.08] Cu PLATING TO ACHIEVE
 $\varnothing .040 \pm .003$ [1.02 ± .07] HOLE.

⑩ "DIM XXX" TO BE DETERMINED BY THE CUSTOMER.

⑪ CONNECTOR KEEP-OUT ZONE.

mat'l code				SEE NOTE 2	tolerances unless otherwise specified		CUSTOMER	A FCI		www.fciconnect.com
lfr	ecr no.	dr	date	linear	.XX±.01/0.X±0.3	COPY	projection		title	4P + 20S + 3P
B					.XXX±.005/0.XX±0.13				VERTICAL PRESSFIT RECEPT	
				angles	.XXX±.002/0.XXX±0.051				product family	PwrBlade
				dr	0° ± 2°	INCH/MM	size	dwg no	code	213
				enrg	Ryan.Yuan 11/1/05	scale	A	51750-018	sheet	4 of 4
				chr	Sally.Luo 11/1/05	1:1				
				appd	VICTOR LIN 11/1/05					
					JOSEPH HSIA 11/1/05					
sheet index	revision sheet									

Tous droits strictement reserves. Reproduction ou communication a des tiers interdite sous quelque forme que ce soit sans autorisation ecrite du propriétaire. Propriete de c FCI. Droits de reproduction FCI.



All rights strictly reserved. Reproduction or issue to third parties in any form whatever is not permitted without written authority from the proprietor. Property of FCI. Copyright FCI.